

Porta tagliafuoco vetrata STAHLGLASS REI 30-60 e RE 120

Costruita con **profilo tubolare portante in acciaio tubolare mm. 15/10**, complanare ed elettrosaldato. I profili sono riempiti di speciale materiale sublimante, con guarnizione termo espandente posta lungo tutto il perimetro. Fornita con certificato a norma di Legge.

Caratteristiche tecniche:

- Vetri fissati con adeguati fermavetri e guarnizioni autoestinguenti.
- Di serie: coppia di maniglie nere con rosetta, cilindro con tre chiavi, serratura antincendio, chiudiporta aereo su entrambe le ante.
- Finiture speciali: oltre alla verniciatura RAL, possibile realizzazione in acciaio inox.

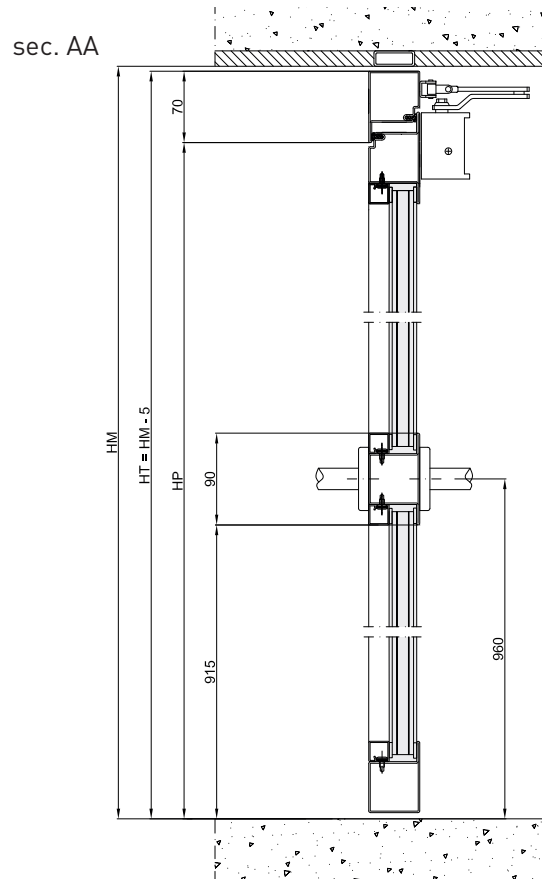
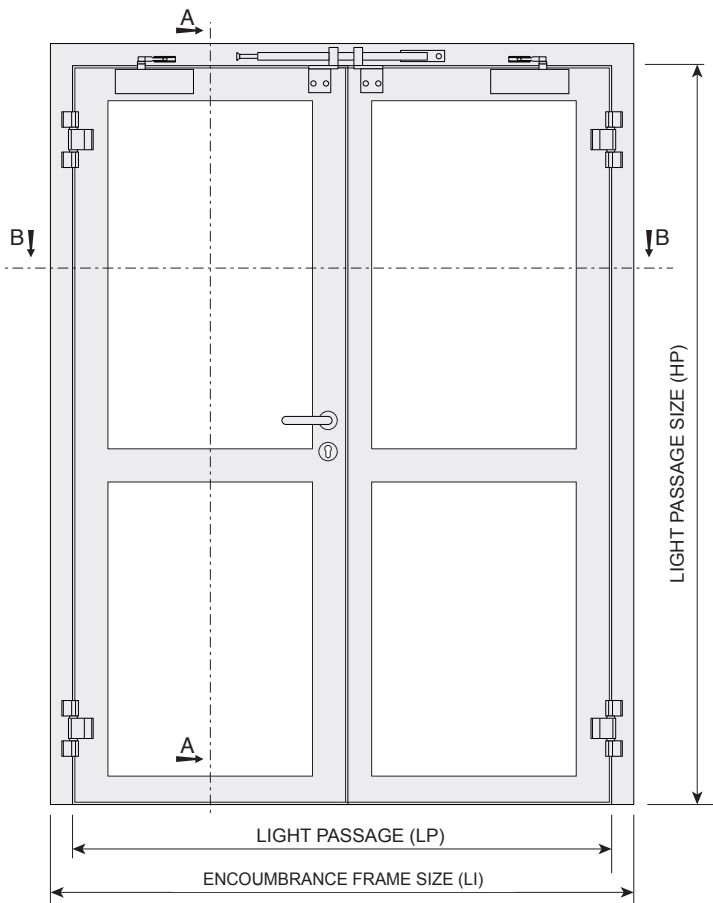
Fire proof glazing door STAHLGLASS REI 30-60 and RE120

Constructed by a steel tubular profile mm. 15/10. Profiles filled with special isolated material, with thermo expanding gasket on the perimeter. Supplied in accordance to the Law. Technical details:

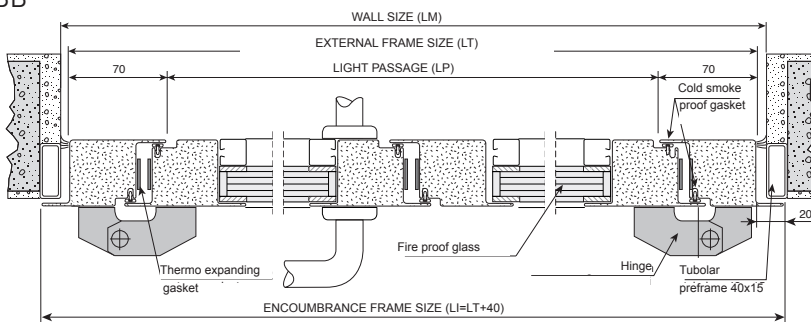
- Fire proof glasses fixed by means of glazing beads and gasket in between.
- Standard equipment: hinges with three wings, lock on both leaves, door closers.
- Special finishing: painting in RAL colors, or stainless steel realization.



STAHLGLASS 2 leaves glazed door REI 30-60, RE 120



sec. BB



Stahlglass fire proof glazed door certified according to UNI 9723, fire resistance REI 30-60, RE 120

- Frame and leaf frame manufactured in tubular profile 15/10 mm., calibrated, welded on angles, with double spaces to insert rubber gasket. The particular construction of the door permits a perfect alignment between leaf and frame. Tubular profiles are filled with a subliming substance and have a particular drilling on the hidden side in order to limit the thermal conduction.
- Thermo-expanding gasket on the perimeter.
- Glasses composed by several stratum of float glass and special clear gel that, in case of fire, becomes invisible by exchanging steam. Fixed by metal profiles clipped on hidden screws.
- N. 2 hinges each leaf, manufactured in sinterized steel sliding on two steel roller bearings, oversized for intensive usage in condition of heavy loads. Their construction allows the adjusting of the leaf position in every moment by means of special screws, normally hidden by plastic cups.
- Black handle with inside steel armour.
- Door closer black color.
- Fire proof lock complete of cylinder with three keys.
- Painting in RAL colours (brushed) to choose from a list of available colours.
- Installation possible on tubular preframe already installed on customer care, or by dowels.